

Marathwada Mitramandal's
COLLEGE OF ENGINEERING
S.No.18, Plot No.5/3, Karvenagar, Pune-52
Accredited with "A++" Grade by NAAC | Recipient of "Best College Award 2019" by SPPU
Accredited by NBA (Mechanical Engg. & Electrical Engg.)
Recognized under section 2(f) and 12B of UGC Act 1956

Department of Electronics & Telecommunication Engineering

Activity: Simulations

Class: TE

Academic Year: 2023-24

Course Name : Microcontrollers

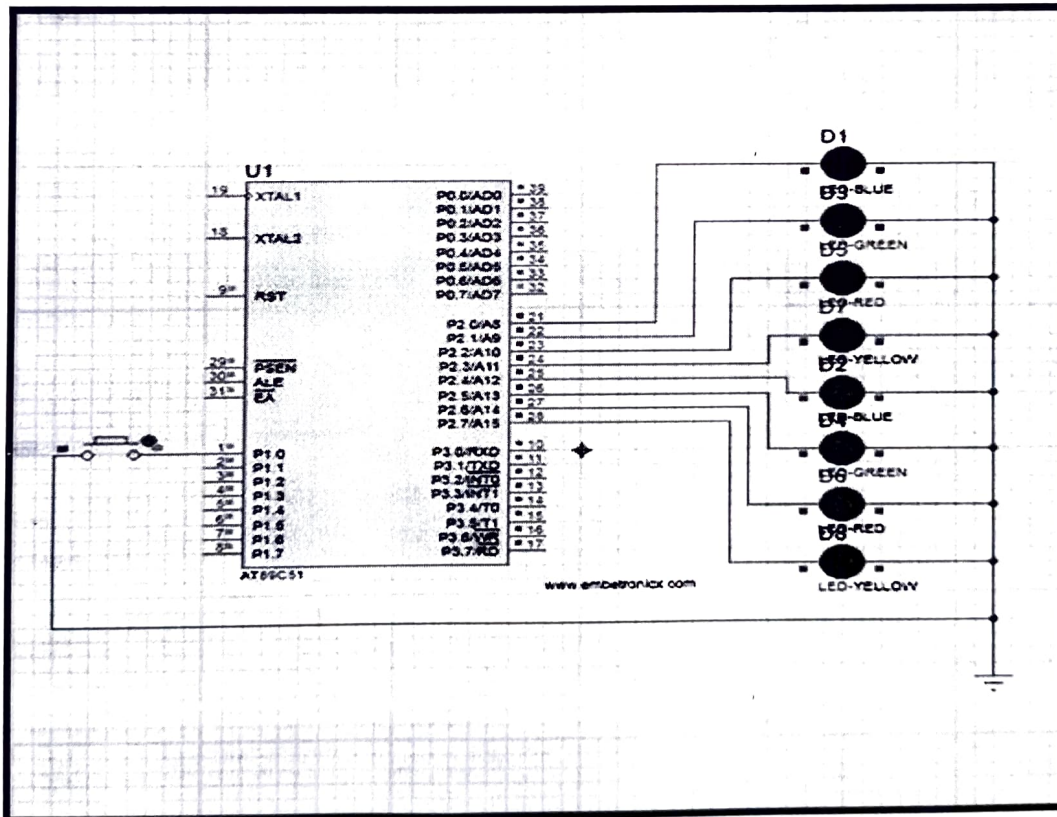
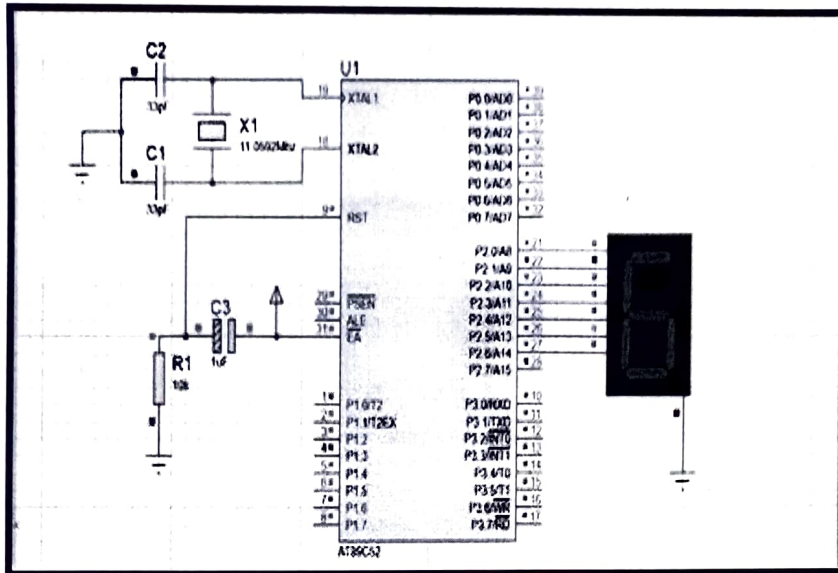
Toic: 8051 microcontroller

Date: July 2023

Details/Evidences/Photos:

The circuit mainly consists of AT89C51 microcontrollers. AT89C51 belongs to the family of 8051 microcontrollers. It is an 8-bit microcontroller. This microcontroller has 4KB of Flash Programmable and Erasable Read Only Memory and 128 bytes of RAM. It has two 16 bit timers/counters. It supports USART communication protocol. It has 40 pins. There are four ports designated as P0, P1, P2, and P3. Port P0 will not have internal pull-ups, while the other ports have internal pull-ups. Light Emitting Diodes are the semiconductor light sources. Commonly used LEDs will have a cut-off voltage of 1.7V and current of 10mA. When an LED is applied with its required voltage and current it glows with full intensity.

Proteus Simulation : Interfacing of LED / 7 Segment to 8051




 Course Coordinator


 Academic Co-ordinator